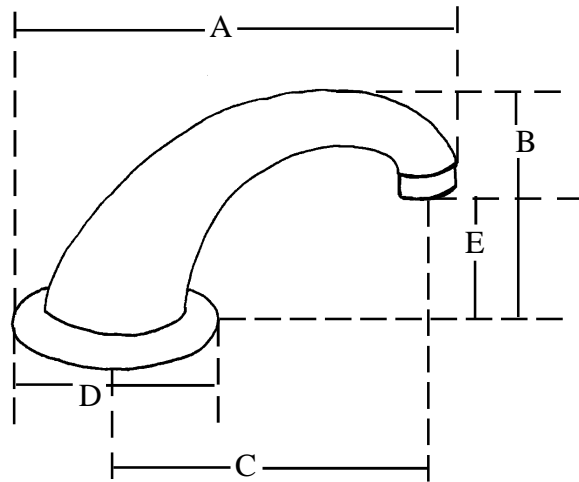


Legacy Brass, Inc.

**3/4" ROMAN TUB
(DECK)SPOUTS**

* - Quick-Connect w/ #RNIP-10R
 α - Quick-Connect w/ #RNIP-34R
 β - Non-Quick-Connect



(all dimensions are approximate)

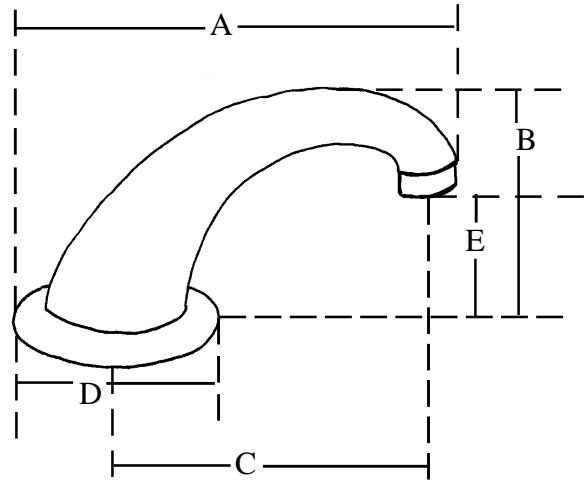
	SERIES #	<u>A</u> Front to Back	<u>B</u> Height	<u>C</u> C. to C. Inlet/Outlet	<u>D</u> Base	<u>E</u> Outlet Height
*	1000 1100 1200	9 7/16"	7 1/2"	7 5/16"	2 7/8" diam.	5"
β	1300 1350 1400 1450	10 3/4"	7 1/2"	10"	2 1/4" diam.	5"
β	1500 1600 1700 1800	12"	4 1/2"	9 1/2"	3 11/16" diam.	2 1/2"
*	1900 2000 2100	10"	5 1/2"	8"	3 11/16" diam.	2 3/4"
*	2200 2250 2300 2350	10 1/2"	3 3/4"	8 1/2"	2 7/8" diam.	2"
*	2400 2500 2600	8 1/2"	9"	7 1/4"	2 3/4" diam.	6"
*	2700 2750 2800 2850 2900 2950	11"	6"	9"	3 1/8" diam.	3 3/4"
*	3000	8 1/2"	9"	7 1/4"	2 3/4" diam.	6"

Legacy Brass, Inc.

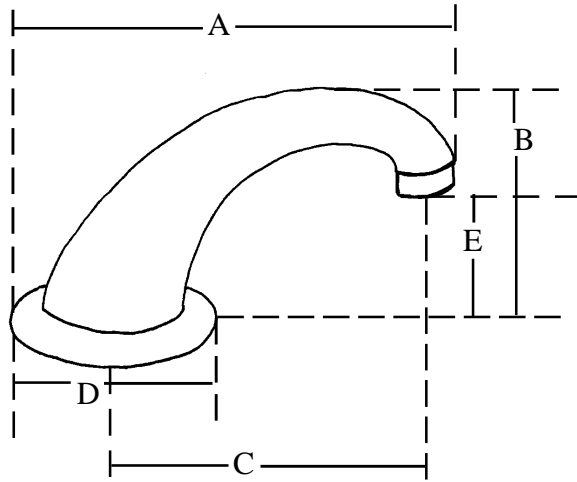
3/4" ROMAN TUB (DECK) SPOUTS

* - Quick-Connect w/ #RNIP-10R
 α - Quick-Connect w/ #RNIP-34R
 β - Non-Quick-Connect

(all dimensions are approximate)



	SERIES #	<u>A</u> Front to Back	<u>B</u> Height	<u>C</u> C. to C. Inlet/Outlet	<u>D</u> Base	<u>E</u> Outlet Height
*	3100 3200 3300	9 7/16"	7 1/2"	7 5/16"	2 7/8" diam.	5"
*	3150 3250	8 1/2"	9"	7 1/4"	2 3/4" diam.	6"
α	3400 3450 3500 3550	11 1/4"	8 1/4"	9"	2 7/8" diam.	6"
*	3600	11 1/4"	8 1/2"	9"	3 11/16" diam.	6 1/4"
*	3650	11 1/4"	8 1/2"	9"	4" diag.	6 1/4"
β	3700 3800 3850	10 3/4"	5"	8 5/8"	2 3/4" diam.	2 1/4"
β	3900 3950	10 3/4"	5"	8 5/8"	2 3/4" diam.	2 1/4"
β	4000 4050	9 1/2"	12"	7 1/2"	2 3/8" diam.	6 1/4"



Legacy Brass, Inc.

3/4" ROMAN TUB (DECK) SPOUTS

* - Quick-Connect w/ #RNIP-10R
 α - Quick-Connect w/ #RNIP-34R
 Σ - Quick-Connect w/ #RNIP-43R
 β - Non-Quick-Connect

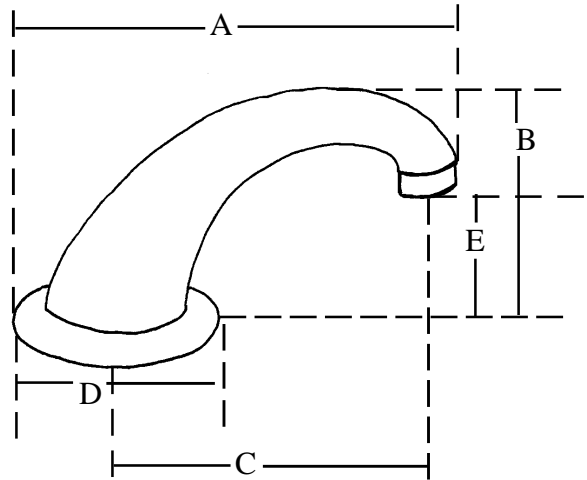
(all dimensions are approximate)

	SERIES #	<u>A</u> Front to Back	<u>B</u> Height	<u>C</u> C. to C. Inlet/Outlet	<u>D</u> Base	<u>E</u> Outlet Height
β	4100 4150	11 3/4"	4 1/2"	9 3/4"	4 1/8" diam.	2 1/4"
β	4200 4250	9 3/4"	4 3/4"	8"	2 3/4" diam.	3"
Σ	4300	13"	7"	10"	3 1/4" diam.	3 1/2"
β	4400 4450	11 3/4"	4 1/2"	9 3/4"	4 1/8" diam.	2 1/4"
*	4500 4550	9 7/16"	7 1/2"	7 5/16"	2 7/8" diam.	5"
*	4600 4650	8 1/2"	9"	7 1/4"	2 3/4" diam.	6"
*	4700	11"	6"	9"	3 1/8" diam.	3 3/4"
*	4800 4850 4900 4950 5000 5050	8 1/2"	9"	7 1/4"	2 3/4" diam.	6"
*	5100 5150	11"	6"	9"	3 1/8" diam.	3 3/4"





Legacy Brass, Inc.

3/4" ROMAN TUB (DECK)SPOUTS

- * - Quick-Connect w/ #RNIP-10R
- α - Quick-Connect w/ #RNIP-34R
- Δ - Quick-Connect w/ #RNIP-52R
- β - Non-Quick-Connect



(all dimensions are approximate)

	SERIES #	<u>A</u> Front to Back	<u>B</u> Height	<u>C</u> C. to C. Inlet/Outlet	<u>D</u> Base	<u>E</u> Outlet Height
Δ	 5200	9"	8 1/2"	8"	2 3/16" diam.	5 1/2"
*	 5300 5350	10 1/2"	8"	9"	2 1/2" diam.	5 3/4"
β	 5400 5450 5500	5 3/4"	8 1/4"	5"	2 1/4" diam.	2 1/4" to 3 1/2"
β	 WF-105	7 1/2"	8"	6 1/8"	2 1/4" x 5"	5 1/2"