

Legacy Brass, Inc

THERMOSTATIC VALVE WITH STOP VALVE INSTRUCTION SHEET

It is recommended that only licensed plumbers with knowledge of installing decorative plumbing products be employed to install Legacy Brass products. Failure to do so may cause product malfunction and needless additional cost.

INSTALLER NOTICE: Do not use plumbers' putty to install this product. The use of plumbers' putty will void the homeowner's finish warranty. We recommend using a clear **silicone sealant and teflon tape around threaded parts.**

VERY IMPORTANT!!

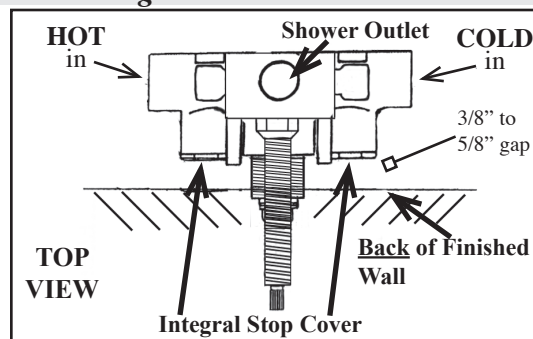
Prior to installing the thermostatic valve, it is **critical** that the supply lines be completely and properly flushed of all dirt and debris. Failure to do so will cause the valve to fail and it will void the manufacturer's warranty.

Bottom Outlet is for Tub Spout ONLY.

Use plug provided to close the outlet if no tub spout is being installed

ROUGH INSTALLATION

- 1) Make sure that the proper sized supply lines are provided for the valve; 3/4" supply lines for the #TH-752, 3/4" thermostatic valve.
- 2) Install the valve, so that the **back of the finished wall** will be 3/8" to 5/8" from the integral stop cover. Be sure that the "Hot" inlet is on the left, when facing the front of the valve, and the "Cold" is on the right, otherwise the valve will not function correctly. If the bottom (tub) outlet will not be used for a tub spout it **must** be plugged by the installer. A plug is provided by the manufacturer in the valve box.
- 3) Install any other separate shut-off (volume control) valves, which will control additional shower devices that will be installed.

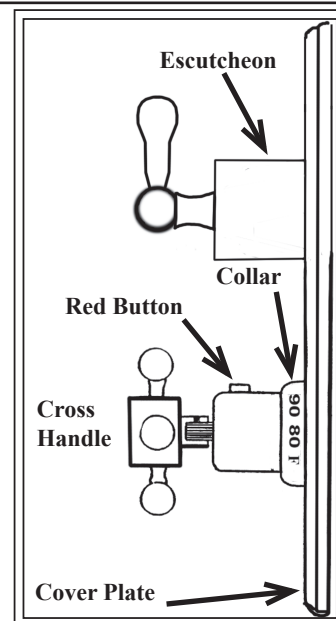


TRIM INSTALLATION

- 1) Be sure that the red dot on the white plastic ring on the valve is at the 12 o'clock position.
- 2) Position the large plate over the front of the valve and install the collar. Tighten enough to hold the plate in place and that the 100° mark is at the 12 o'clock position.
- 3) The temperature control handle must be installed with the red button at the 12 o'clock position. Insert the mounting screw through the center of the stem and tighten.

At this point it is recommended that the water temperature be tested to ensure that it is 100 degrees. If the water temperature is not 100 degrees, follow the following instructions.

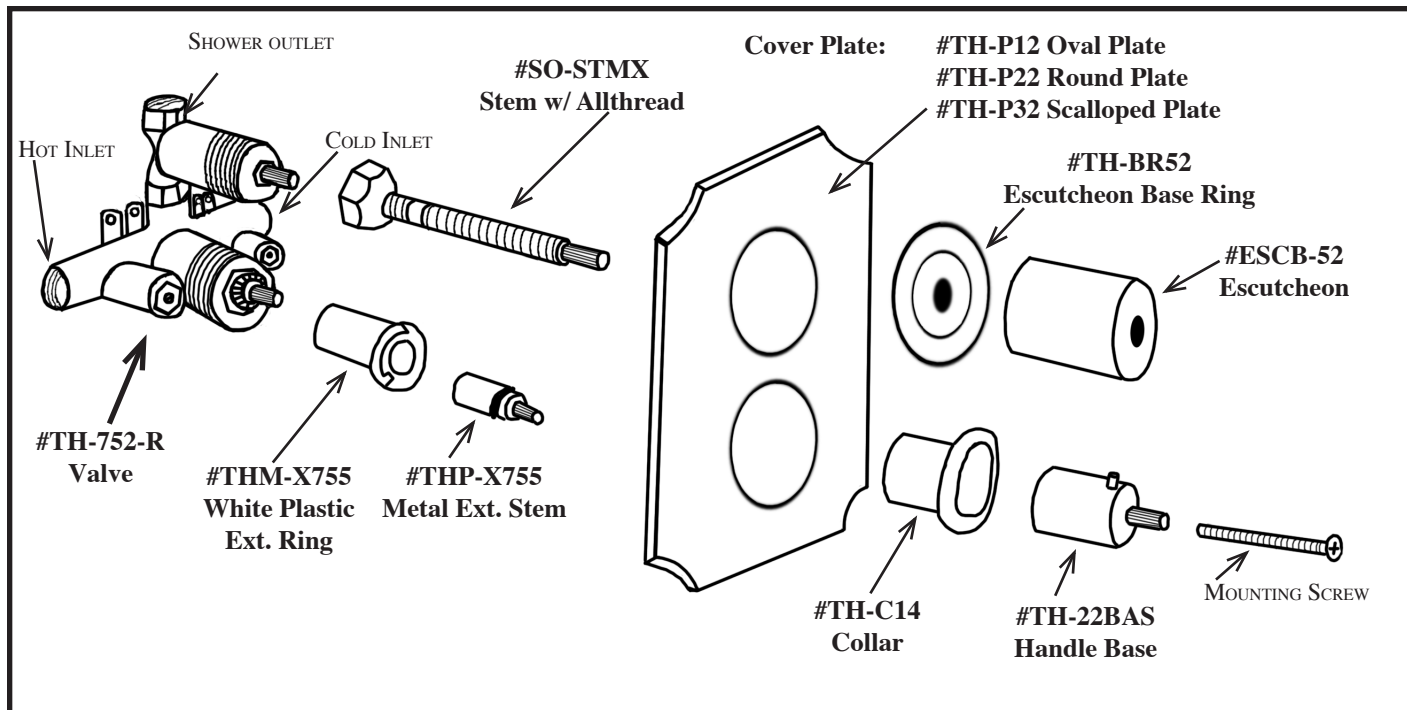
- A) Remove the temperature control handle and the white plastic stop on the valve.
 - B) Adjust the water temperature by turning the valve stem until the water temperature measures 100 degrees.
 - C) Re-install the white plastic stop onto the front of the valve with the red dot at the 12 o'clock position and the temperature control handle with the red button at 12 o'clock.
- 4) Set the larger diameter side of the escutcheon base into the plate and screw the escutcheon onto the allthread.
 - 5) Cut the allthread and the stem to size. The stem should protrude 1/2" from the top of the allthread.
 - 6) Install the cross handle onto the temperature control handle stem and tighten the set screw(s). Install the other handle to the stem of the stop valve and tighten the set screw(s).



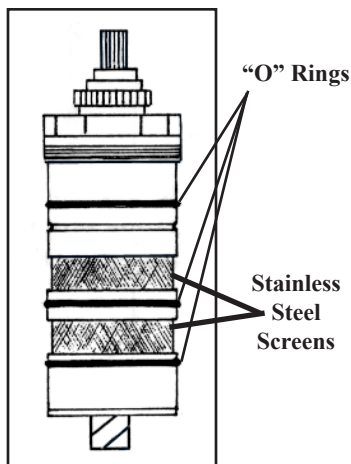
INSTALLER

Important Cleaning Notice

Please refer to *Care & Maintenance Instructions* for complete cleaning instructions. **Never clean with abrasives, acids or detergents.** Wipe with soft, damp cloth.



Min. Operating Pressure: 20 psi
Max. Operating Pressure: 75psi
 If pressure exceeds 75psi, a pressure regulator must be installed. Operating pressures for HOT and COLD lines should be kept balanced.



ITEM
#TH-VCAR

TESTING THE CARTRIDGE

To test the cartridge:

- 1) Turn the temperature control handle to 100 degrees (red button up).
- 2) Turn off the COLD water supply. If operating properly, the cartridge will shut down the HOT water supply.
- 3) Now, repeat the above procedures, but turn off the HOT water supply. The cartridge will shut down the COLD water supply.

If the cartridge fails the test, it is defective and must be replaced. It can not be repaired.

CLEANING THE CARTRIDGE

Cartridges will need to be cleaned from time to time, when the water flow begins to be reduced, the temperature mixing becomes inaccurate or the handle becomes difficult to turn.

To clean the cartridge:

- 1) Remove the cover plate, decorative handle and the temperature control handle.
- 2) Remove the white plastic ring.
- 3) Turn off the HOT and COLD water by turning the screws at the integral stop covers.
- 4) Using a wrench, unscrew the cartridge, turning counterclockwise.
- 5) Remove the cartridge and rinse under running water. If there is mineral buildup, soak the cartridge in vinegar to soften the minerals and remove with a bristle brush.
- 6) Grease the "O" rings, reinstall into the valve and re-calibrate the temperature setting at 100 degrees. (See instructions on the other side of this sheet).