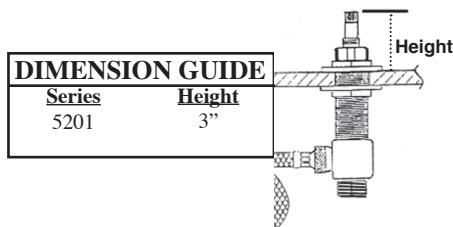
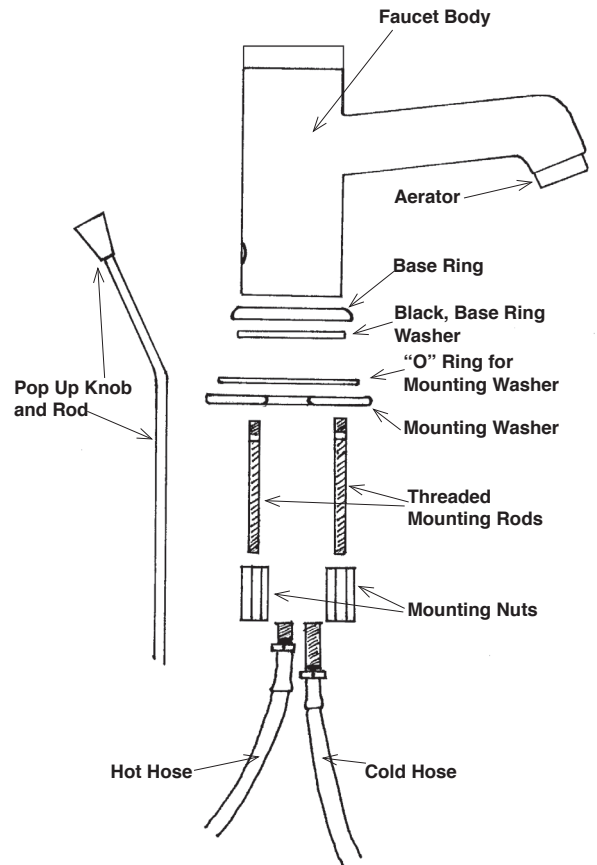


#5201 WIDESPREAD LAV FAUCET INSTALLATION SHEET

It is recommended that only licensed plumbers with knowledge of installing decorative plumbing products be employed to install Legacy Brass products. Failure to do so may cause product malfunction and needless additional cost.

INSTALLER NOTICE: Do not use plumbers' putty to install this product. The use of plumbers' putty will void the homeowner's finish warranty. We recommend using a clear silicone sealant and teflon tape around threaded parts.

- 1) If applicable, turn off the water supplies and remove the old faucet and drain. Drill 3 holes, each 1 1/4" in diameter, for the spout and valves.
- 2) Place a ring of silicone around each of the holes in the deck or the sink.
- 3) Install the spout by:
 - a) removing the nuts and washers from the plastic bag.
Do not remove the hoses from the spout.
 - b) screwing the threaded mounting rods into the bottom of the spout.
 - c) setting the spout into position (with base ring) and installing the "O"-ring, washer and nuts onto the threaded mounting rods. Be sure the hoses fit inside the washer. Tighten the nuts.
- 4) Install the valves ("Hot" on the left and "Cold" on the right) by:
 - a) removing the top nut from each valve.
 - b) inserting the valve body into its hole from the underside and installing the top nut. Adjust the height of the valve stem to the correct position according to the "Dimension Guide" on this page.
- 5) Install the hoses onto the valve body outlets. Do not overtighten.
- 6) Install the drain by:
 - a) removing the flange, washers and nut from drain assembly, applying a sealant to the underside of the flange and inserting it into the drain hole of the sink.
 - b) installing and tightening the washers and nut from the underside and then screwing the body onto the flange, so that the ball rod outlet faces directly toward the back wall.
 - c) inserting the ball rod into its outlet and inserting the drain plug into the flange, aligning it with the ball rod. Tighten the nut on the ball rod outlet.
 - d) connecting the ball rod to the pop-up rod using the strap and the V-clip.
- 7) Connect the supply hoses (not included) to the bottom of the valves and check for leaks.
- 8) Install the escutcheons and handles to complete the installation.



INSTALLER
Important Cleaning Notice

Please refer to *Care & Maintenance Instructions* for complete cleaning instructions. **Never clean with abrasives, acids or detergents.** Wipe with soft, damp cloth.

