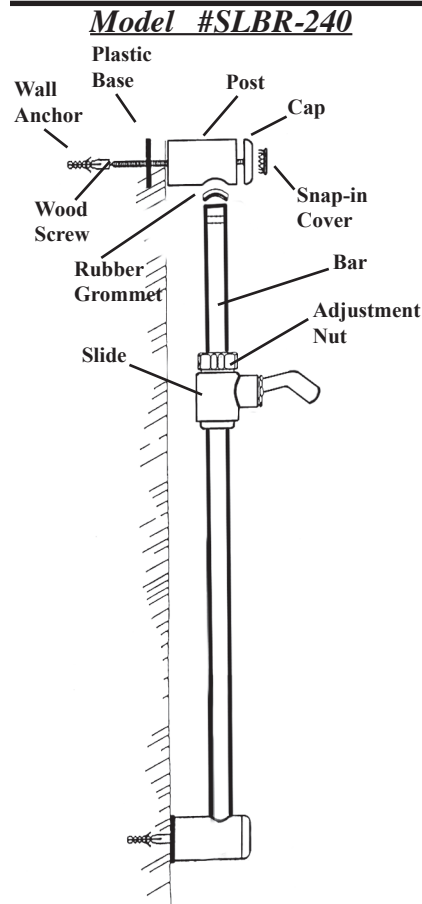


Legacy Brass, Inc

SLIDE BAR INSTRUCTION SHEET

It is recommended that only licensed plumbers with knowledge of installing decorative plumbing products be employed to install Legacy Brass products. Failure to do so may cause product malfunction and needless additional cost.

INSTALLER NOTICE: Do not use plumbers' putty to install this product. The use of plumbers' putty will void the homeowner's finish warranty. We recommend using a clear silicone sealant when necessary.



1) Drill 11/32" holes in the wall to accept the Wall Anchors. The holes should be 22 7/16" apart.

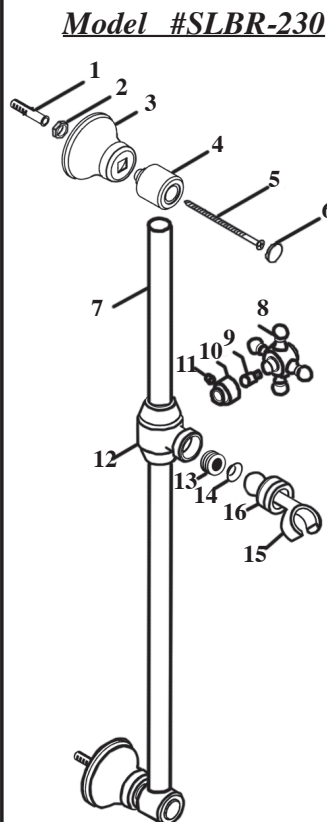
2) Insert the Wall Anchors.

3) Insert the Rubber Grommet into the Post and slide the Bar through the hole.

4) Be sure that the adjustable Slide is mounted with the Adjustment Nut on the top side.

5) Insert the Wood Screw through the Cap, through the holes in the bar, through the Plastic Base and fasten into the Wall Anchor.

6) Insert the Snap-in Cover to complete the installation.



1) Drill 9/32" holes in the wall to accept the Wall Anchors. The holes should be 22 7/8" apart.

2) Insert the Wall Anchors.

3) With the adjustable Slide mounted on the Bar, insert the Bar through the hole of the End Post.

4) Insert the Wood Screw through the top of the End Post, through the holes in the bar and fasten into the Wall Anchor.

5) Insert the Snap-in Cover to complete the installation.

Parts List

- | | |
|------------------------|-------------------------|
| 1) Wall Plug | 12) Adjustable Slide |
| 2) Nut | 13) Spring |
| 3) Escutcheon | 14) Spring Washer |
| 4) End Post | 15) Hand Shower Bracket |
| 5) Wall Mounting Screw | 16) Bracket Tension Nut |
| 6) Cap | |
| 7) Slide Bar | |
| 8) Adjustment Handle | |
| 9) Handle Adapter | |
| 10) Slide Extension | |
| 11) Set Screw | |

INSTALLER Important Cleaning Notice

Please refer to *Care & Maintenance Instructions* for complete cleaning instructions. **Never clean with abrasives, acids or detergents.** Wipe with soft, damp cloth.