

Legacy Brass, Inc DSO SYSTEM 1

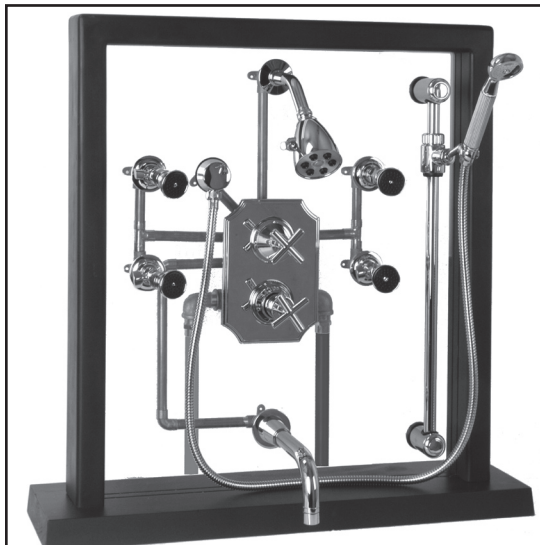
INSTALLATION GUIDE

It is recommended that only licensed plumbers with knowledge of installing decorative plumbing products be employed to install Legacy Brass products. Failure to do so may cause product malfunction and needless additional cost.

INSTALLER NOTICE: Do not use plumbers' putty to install this product. The use of plumbers' putty will void the homeowner's finish warranty. We recommend using a clear silicone sealant and teflon tape around threaded parts.

VERY IMPORTANT!!

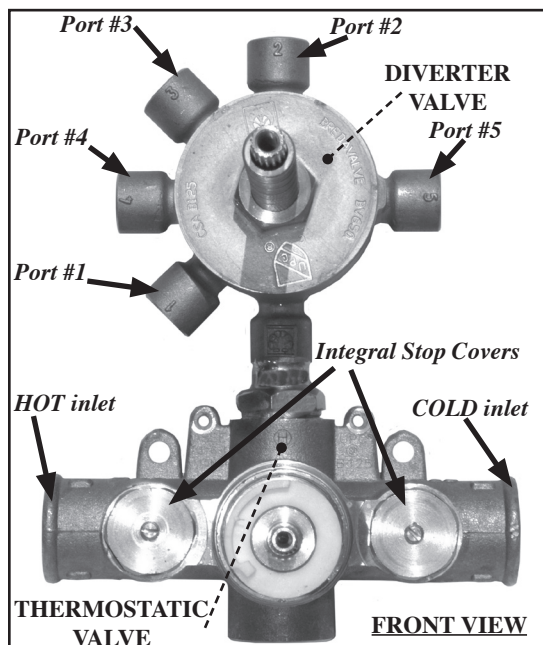
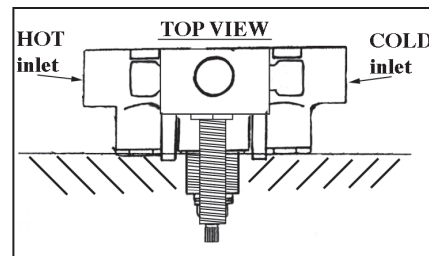
Prior to installing the thermostatic valve, it is **critical** that the supply lines be completely and properly flushed of all dirt and debris. Failure to do so will cause the valve to fail and it will void the manufacturer's warranty.



ROUGH INSTALLATION

Valve:

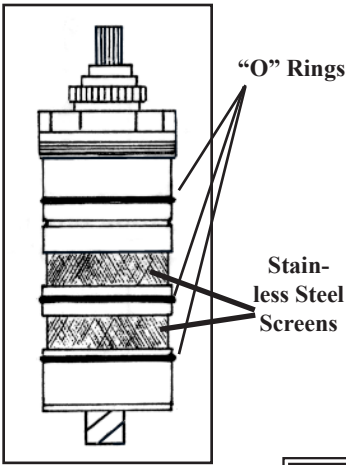
- 1) The Thermostatic Valve has 3/4" inlets. If the home is piped with 1/2" lines, step up to 3/4" pipe/tubing about two (2) to three (3) feet before the valve.
- 2) Use the plug provided to plug the bottom outlet of the valve.
- 3) Install the valve so that the integral (check) stop covers are even with the back of the finished wall.
- 4) Be sure the cold water is connected to the inlet marked "COLD" and the hot water is connected to the inlet marked "HOT". Otherwise, the valve will not function properly.



PLUMBING FROM THE DIVERTER VALVE

- 1) Use 1/2" copper tubing and sweat all connections.
- 2) **PORT #1** - Using a 45° elbow, plus other elbows, as needed, plumb to the desired location for the wall mounted spout. NOTE: Legacy Brass spouts require a 1/2" Male, NPT nipple.
- 3) **PORT #2** - Plumb up to wall shower outlet. NOTE: The Legacy Brass shower arm requires a 1/2" Female, NPT connection.
- 4) **PORT #3** - Plumb to the desired location for a supply elbow to be used for a hand shower. NOTE: Legacy Brass supply elbows require a 1/2" Male, NPT nipple.
- 5) **PORTS #4 and #5** - Plumb from each port to the desired location for the body sprays. A pressure balancing loop is usually not needed for two (2) body sprays on an outlet. If there are more than two (2) body sprays being installed from either port, a pressure balancing loop **must** be used. NOTE: Each Legacy Brass body spray requires a 1/2" Male, NPT nipple.

SEE OVER FOR TRIM INSTALLATION



ITEM
#TH-VCAR

TESTING THE CARTRIDGE

To test the cartridge:

- 1) Turn the temperature control handle to 100 degrees (red button up).
- 2) Turn off the COLD water supply. If operating properly, the cartridge will shut down the HOT water supply.
- 3) Now, repeat the above procedures, but turn off the HOT water supply. The cartridge will shut down the COLD water supply.

If the cartridge fails the test, it is defective and must be replaced. It can not be repaired.

Min. Operating Pressure: 20 psi

Max. Operating Pressure: 75 psi

If pressure exceeds 75 psi, a pressure regulator must be installed.

Operating pressures for HOT and COLD lines should be kept balanced.

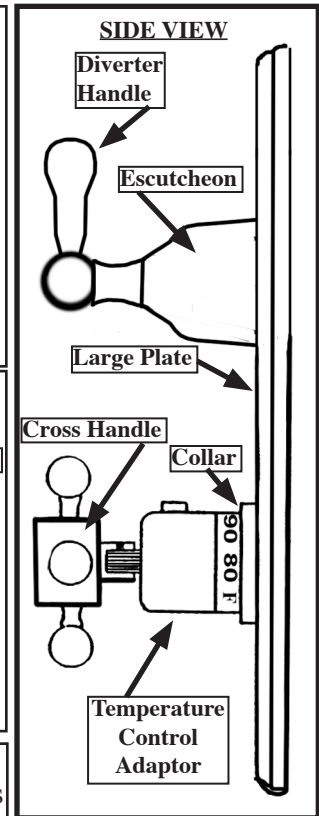
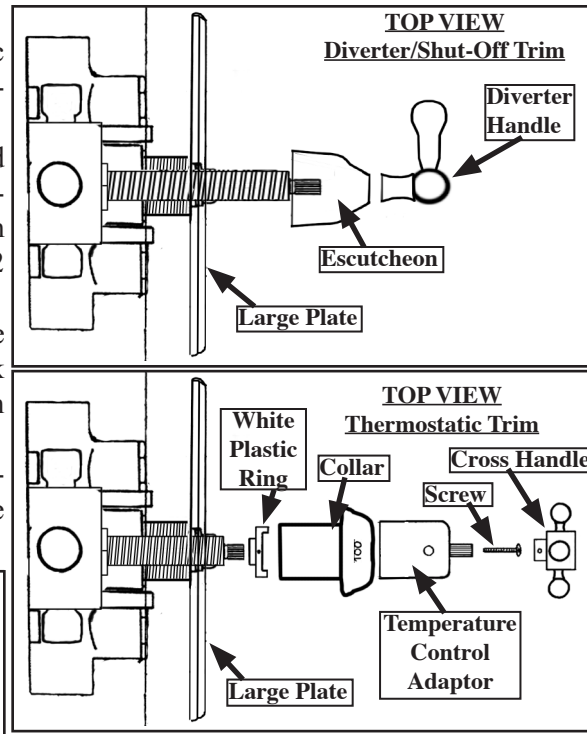
TRIM INSTALLATION (use teflon tape on all thread connections)

VALVE TRIM

- 1) Be sure that the red dot on the white plastic ring on the valve is at the 12 o'clock position.
- 2) Place the large plate over the opening and install the collar through the plate onto the thermostatic valve. (If so equipped, make certain that the collar's "100" degree mark is at the 12 o'clock position). **Do not overtighten!**
- 3) The temperature control adaptor must be installed with the red button at the 12 o'clock position. Insert the mounting screw through the center of the stem and tighten.
- 4) Install the decorative handle onto the temperature control adaptor stem and tighten the set screw(s).

**** At this point it is recommended that the water temperature be tested to ensure that it is 100 degrees. If the water temperature is not 100 degrees, follow the following instructions.**

- A) Remove the temperature control adaptor and handle and the white plastic stop on the valve.
- B) Adjust the water temperature by turning the valve stem until the water temperature measures 100 degrees.
- C) Re-install the white plastic stop onto the front of the valve with the red dot at the 12 o'clock position and the temperature control adaptor and handle with the red button at 12 o'clock.



- 5) Screw the escutcheon onto the allthread of the Diverter/Shut-Off valve. If necessary, cut the allthread and stem to size. About 1/2" of stem needs to protrude beyond the end of the allthread. With the diverter stem turned fully clockwise to the "OFF" position, slide the other handle onto the stem of the Diverter/Shut-Off valve and fasten the set screw(s). If the other handle is a lever handle, the handle should point to the 3 o'clock position.

WALL TUB SPOUT

Screw the spout onto the 1/2" nipple extending from the wall. A bead of silicone around the bottom ridge of the spout will prevent leakage into the wall during shower usage.

2005

Legacy Brass, Inc
DSO SYSTEM 1
INSTALLATION GUIDE
-- continued --

SHOWER HEAD

Screw the shower arm into the 1/2" Female connector. Slide the flange over the arm to the wall and tighten the set screw. Screw the shower head onto the shower arm.

SLIDE BAR

See the "Slide Bar Instruction Sheet" on the last page of these instructions.

SUPPLY ELBOW FOR HAND SHOWER

- 1) Screw the supply elbow onto the 1/2" nipple. Using a bead of silicone around the bottom of the supply elbow will prevent water leakage into the wall during shower usage.
- 2) Attach the hex nut of the hand shower hose to the supply elbow outlet.

HAND SHOWER

Screw the hand shower onto the cone shaped nut of the hand shower hose and slide the assembly through the hole in the slide bar bracket until the cone shaped nut seats itself. Adjust the bracket tension, if necessary, by tightening the nut at the base of the bracket.

BODY SPRAYS

Screw each body spray onto the 1/2" nipples. Adjust the flanges against the wall. A bead of silicone around the bottom edge of each flange will prevent water leakage during shower usage.

INSTALLER
Important Cleaning Notice

Please refer to *Care & Maintenance Instructions* for complete cleaning instructions. **Never clean with abrasives, acids or detergents.** Wipe with soft, damp cloth.

CLEANING THE CARTRIDGE

Cartridges will need to be cleaned from time to time, when the water flow begins to be reduced, the temperature mixing becomes inaccurate or the handle becomes difficult to turn.

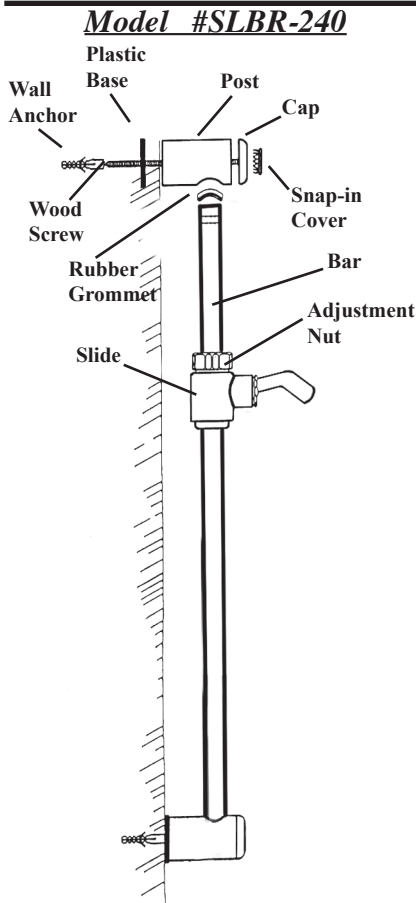
To clean the cartridge:

- 1) Remove the cover plate, decorative handle and the temperature control handle.
- 2) Remove the white plastic ring.
- 3) Turn off the HOT and COLD water by turning the screws at the integral stop covers.
- 4) Using a wrench, unscrew the cartridge, turning counterclockwise.
- 5) Remove the cartridge and rinse under running water. If there is mineral buildup, soak the cartridge in vinegar to soften the minerals and remove with a bristle brush.
- 6) Grease the "O" rings, reinstall into the valve and re-calibrate the temperature setting at 100 degrees. (See ** instructions on the previous page).

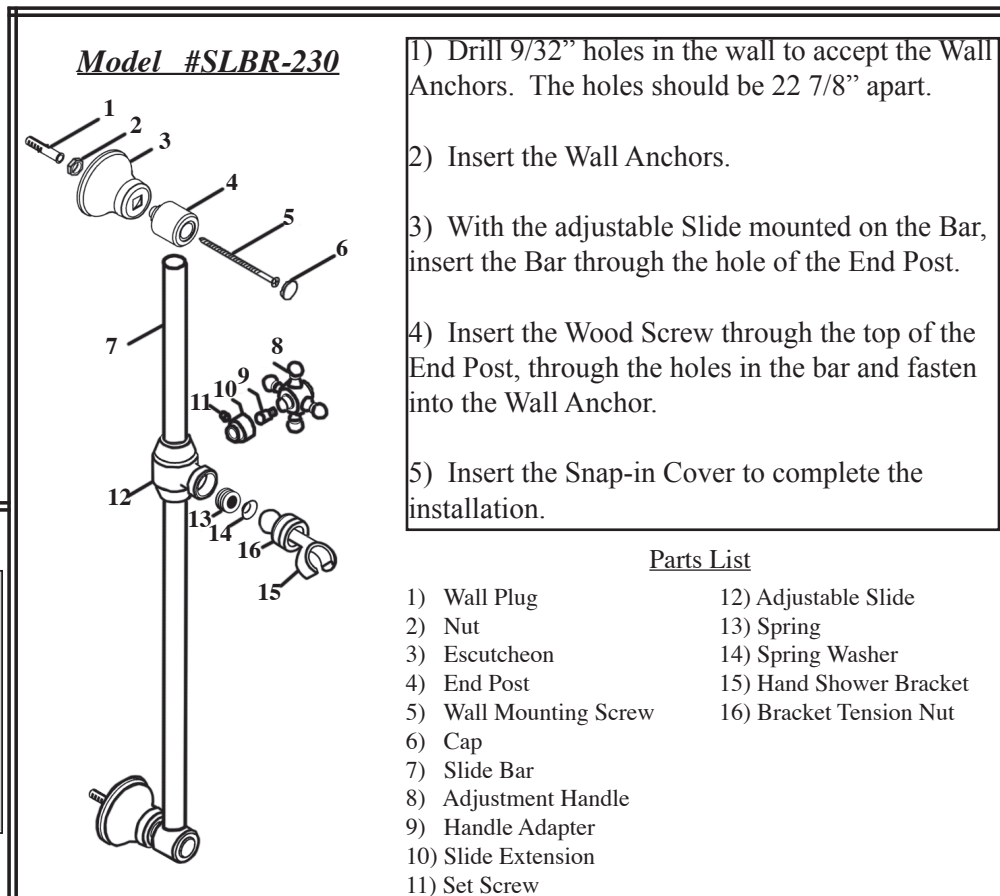
SLIDE BAR INSTRUCTION SHEET

It is recommended that only licensed plumbers with knowledge of installing decorative plumbing products be employed to install Legacy Brass products. Failure to do so may cause product malfunction and needless additional cost.

INSTALLER NOTICE: Do not use plumbers' putty to install this product. The use of plumbers' putty will void the homeowner's finish warranty. We recommend using a clear silicone sealant when necessary.



- 1) Drill 11/32" holes in the wall to accept the Wall Anchors. The holes should be 22 7/16" apart.
- 2) Insert the Wall Anchors.
- 3) Insert the Rubber Grommet into the Post and slide the Bar through the hole.
- 4) Be sure that the adjustable Slide is mounted with the Adjustment Nut on the top side.
- 5) Insert the Wood Screw through the Cap, through the holes in the bar, through the Plastic Base and fasten into the Wall Anchor.
- 6) Insert the Snap-in Cover to complete the installation.



- 1) Drill 9/32" holes in the wall to accept the Wall Anchors. The holes should be 22 7/8" apart.
- 2) Insert the Wall Anchors.
- 3) With the adjustable Slide mounted on the Bar, insert the Bar through the hole of the End Post.
- 4) Insert the Wood Screw through the top of the End Post, through the holes in the bar and fasten into the Wall Anchor.
- 5) Insert the Snap-in Cover to complete the installation.

Parts List

- | | |
|------------------------|-------------------------|
| 1) Wall Plug | 12) Adjustable Slide |
| 2) Nut | 13) Spring |
| 3) Escutcheon | 14) Spring Washer |
| 4) End Post | 15) Hand Shower Bracket |
| 5) Wall Mounting Screw | 16) Bracket Tension Nut |
| 6) Cap | |
| 7) Slide Bar | |
| 8) Adjustment Handle | |
| 9) Handle Adapter | |
| 10) Slide Extension | |
| 11) Set Screw | |

INSTALLER
Important Cleaning Notice

Please refer to *Care & Maintenance Instructions* for complete cleaning instructions. **Never clean with abrasives, acids or detergents.** Wipe with soft, damp cloth.