

Legacy Brass, Inc

QUICK-CONNECT ROMAN TUB (DECK) FAUCET INSTALLATION SHEET

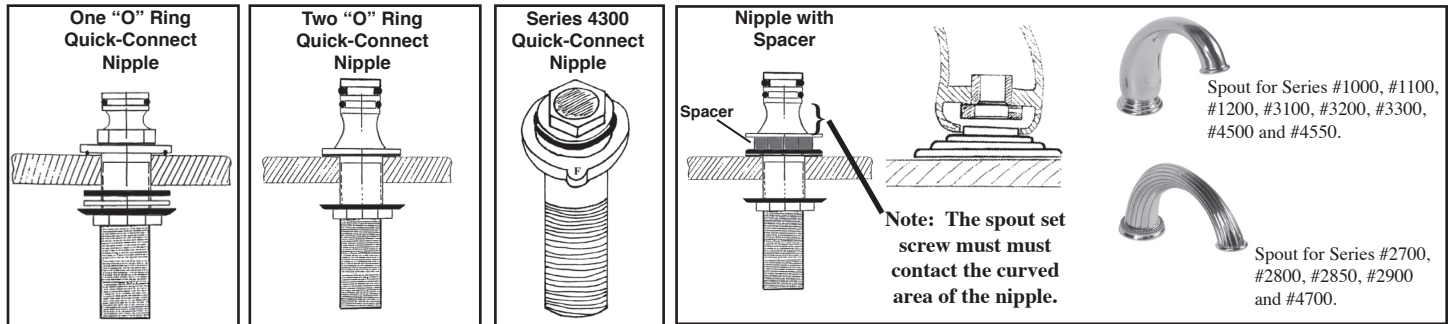
It is recommended that only licensed plumbers with knowledge of installing decorative plumbing products be employed to install Legacy Brass products. Failure to do so may cause product malfunction and needless additional cost.

INSTALLER NOTICE: Do not use plumbers' putty to install this product. The use of plumbers' putty will void the homeowner's finish warranty. We recommend using a clear silicone sealant and teflon tape around threaded parts.

VERY IMPORTANT!!! Prior to installing the valves, it is critical that the supply lines be completely flushed of all dirt and debris.

ROUGH INSTALLATION:

- 1) Remove the mounting nut from the quick-connect nipple and insert the nipple into the 1 1/4" diameter hole for the spout.
- NOTE:** The spouts for the following series numbers require a spacer (provided) between the deck and the base of the quick-connect nipple; #1000, #1100, #1200, #2700, #2800, #2850, #2900, #3100, #3200, #3300, #4500, #4550 and #4700.
- 2) Tighten the mounting nut from the underside of the deck. (For Series #4300, the notch on the nipple base must face toward the tub).
- 3) Install the "HOT" and "COLD" valves (and the DIVERTER valve, if it is part of the set) from underneath the deck and adjust the height according to the Dimension Guide below. **NOTE:** The dimensions are from the finished deck.
- 4) It is recommended that the valves be hard plumbed with copper tubing, but hoses can be used. *Hoses, tees and other plumbing parts are not provided by the manufacturer.* If this is a 2-valve set, bring the hot and cold water directly from the valves to the spout using a 3/4" tee. If this is a 3-valve set (with a diverter), bring the hot and cold water from the valves to the diverter valve (there are two inlets) and plumb to the spout from the 3/4" outlet. Install the 24", high pressure, stainless steel braided hose to the 1/2" outlet for eventual installation to the handshower hose.

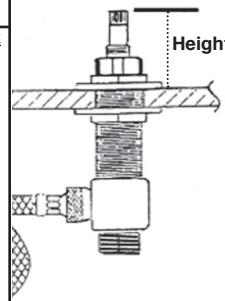


TRIM INSTALLATION:

- 1) Install the spout onto the quick-connect nipple and tighten the set screw. **NOTE:** The set screw must contact the curved or slanted area of the nipple. **DO NOT TURN THE SPOUT AFTER IT HAS BEEN TIGHTENED.** If adjustments to the spout are necessary, loosen the set screw first.
 - 2) Screw the escutcheons onto the valve and then install the handles at their preferred positions and tighten the handle set screws with the allen wrench provided.
- [continued, over]*

DIMENSION GUIDE									
Series	Height	Series	Height	Series	Height	Series	Height	Series	Height
1007,8	2 1/4"	2207,8	2"	2857,8	2 1/4"	3557,8	2"	4857,8	2 5/8"
1107,8	2 1/4"	2257,8	2 1/2"	2907,8	2 1/4"	3607,8	2 1/4"	4907,8	2 5/8"
1207,8	2 1/4"	2307,8	2"	2957,8	2 1/4"	3657,8	2 1/4"	4957,8	2 5/8"
1507,8	2 5/8"	2357,8	2 1/2"	3007,8*	1 7/8"	4307,8	2 1/2"	5007,8	2 1/2"
1607,8	2 5/8"	2407,8	2 5/8"	3107,8	2 1/4"	4507,8	2 1/4"	5057,8	2 1/2"
1707,8	2 5/8"	2507,8	2 5/8"	3207,8	2 1/4"	4557,8	2 5/8"	5107,8	2 5/8"
1807,8	2 5/8"	2607,8	2 5/8"	3307,8	2 1/4"	4607,8*	1 7/8"	5157,8	2 1/4"
1907,8	2 5/8"	2707,8	2 1/4"	3407,8	2 1/2"	4657,8*	1 7/8"		
2007,8	2 5/8"	2757,8	2 1/4"	3457,8	2 1/2"	4707,8	2 1/4"		
2107,8	2 5/8"	2807,8	2 1/4"	3507,8	2"	4807,8	2 5/8"		

* The escutcheon is used as the top lock nut on the valve. Discard the top valve nut.



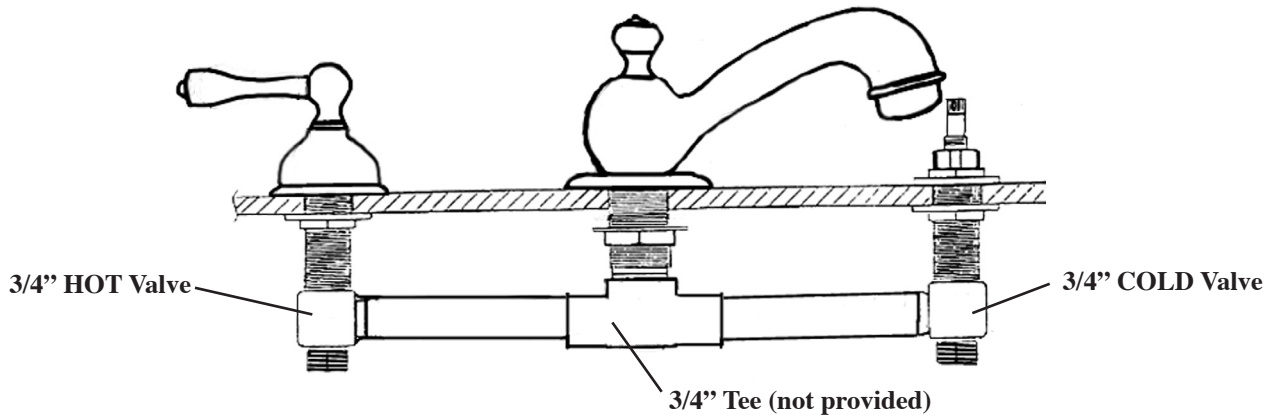
INSTALLER
Important Cleaning Notice

Please refer to *Care & Maintenance Instructions* for complete cleaning instructions. **Never clean with abrasives, acids or detergents.** Wipe with soft, damp cloth.

TRIM INSTALLATION: (For Hand Showers only)

- 1) If not already done, install the hand shower escutcheon onto the deck. Remove the washers and mounting nut. Insert the escutcheon from the top side of the deck, mount the washer and nut onto the bottom of the nipple and tighten.
- 2) Slide the decorative hose (the end with the hex nut) through the escutcheon and connect to the 24" pressure hose.
- 3) Connect the other end of the decorative hose (with the cone-shaped nut) to the hand shower itself.
- 4) Check for leaks and tighten connections, if necessary.

2-Valve Installation



3-Valve Installation with Hand Shower

