

# Legacy Brass, Inc

## WALL-MOUNTED LAVATORY FAUCET INSTALLATION SHEET

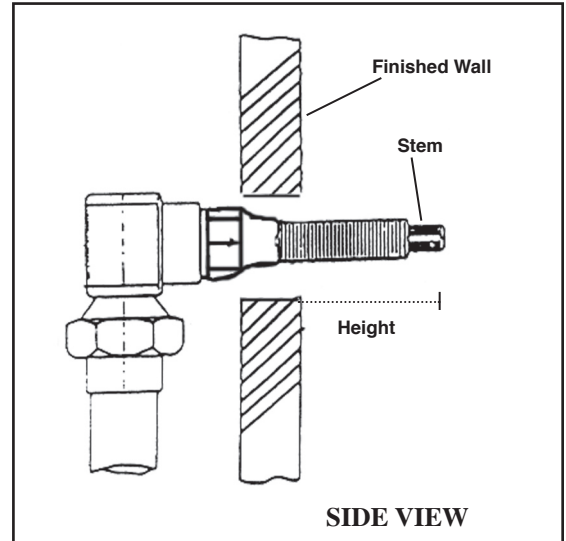
*It is recommended that only licensed plumbers with knowledge of installing decorative plumbing products be employed to install Legacy Brass products. Failure to do so may cause product malfunction and needless additional cost.*

**INSTALLER NOTICE:** Do not use plumbers' putty to install this product. The use of plumbers' putty will void the homeowner's finish warranty. We recommend using a clear silicone sealant and teflon tape around threaded parts.

1) Install roughs at the desired height in the wall. Hole diameters should be 1 1/4". **NOTE: To avoid having to order stem extensions later on, be sure to allow at least 2 5/8" of stem to protrude from the finished wall.** (See Dimension Guide below). Stems and allthreads may be cut to achieve the correct dimensions when installing the trim.

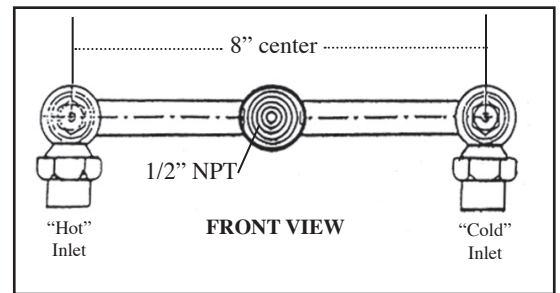
2) Be sure that the rough is strapped firmly to the framework. If galvanized pipe is being used in the plumbing system, ground the pipe to avoid electrolosis between metals.

3) Install the trim parts to complete the installation. Stems and allthreads may be cut to achieve the correct dimensions when installing the trim. The chart below indicates the distance from the finished wall to the top of the stem.



**INSTALLER**  
**Important Cleaning Notice**

Please refer to *Care & Maintenance Instructions* for complete cleaning instructions. **Never clean with abrasives, acids or detergents.** Wipe with soft, damp cloth.



DIMENSION GUIDE									
Series	Height	Series	Height	Series	Height	Series	Height	Series	Height
1002	2 1/4"	2302	2"	3202	2 1/4"	4002	2 1/8"	4802	2 5/8"
1102	2 1/4"	2352	2 1/2"	3252	2 1/2"	4052	2 1/8"	4852	2 5/8"
1202	2 1/4"	2402	2 5/8"	3302	2 1/4"	4502	2 1/4"	4902	2 5/8"
1302	2 5/8"	2502	2 5/8"	3402	2 1/2"	4552	2 5/8"	4952	2 5/8"
1303	2 5/8"	2602	2 5/8"	3452	2 1/2"	4602	1 7/8"	5002	2 1/2"
1352	2 1/2"	2702	2 1/4"	3502	2"	4652	1 7/8"	5052	2 1/2"
1353	2 1/2"	2752	2 1/4"	3552	2"	4702	2 1/4"	5102	2 5/8"
1402	2 5/8"	2802	2 1/4"	3602	2 1/4"			5152	2 1/4"
1403	2 5/8"	2852	2 1/4"	3652	2 1/4"				
1452	2 1/2"	2902	2 1/4"	3702	2 1/2"				
1453	2 1/2"	2952	2 1/4"	3802	2 1/2"				
2202	2"	3002	1 7/8"	3852	2 1/2"				
2252	2 1/2"	3102	2 1/4"	3902	2 1/4"				
		3152	2 1/2"	3952	2 1/4"				

